

November 2019

THE
DOVE



**COLUMBIA UNITED
METHODIST CHURCH**

**510 Walnut Street
Columbia, PA 17512 (717) 684-2356
Rev. Tom Grubbs, Pastor**



Open hearts. Open minds. Open doors.
The people of The United Methodist Church™

Our Vision and Values:
Taking Christ into the community by...
Creating disciples for Christ
Celebrating diversity
Connecting to the community
Commitment to love and justice



“How to Worship with All Your Life”

scripture: Mark 12:28-31, Romans 12:1-2

Nov. 3 Worship with all your Life

“We are the Church”

Nov. 10 The Church of Love Ephesians 3:17-22

Nov. 17 *Thank Offering Service* **10:00 AM**

Nov. 24 The Church of Love Ephesians 3:16-19

Dec. 1 The Church Grows Stronger Eph. 4:1-3

Dec. 8 *Kids Christmas Service* **10:00 AM**

Please note: The November 17 and December 8 services will be “Community Worship” services which will begin at 10:00 AM.



United
Methodist
Women

The United Methodist Women will conduct the annual Thank Offering Service on Sunday, **November 17 at 10:00 AM** at a special combined Community Worship Service. There will be special worship and praise music. The guest speaker will be Leslie Goodall who will be speaking on “Life’s Experiences”. Be prepared for the special “World Thank Offering” that will be taken at the service. The funds collected are used in the total program of mission and advocacy in the United States and around the world in support of women, children and youth.

The regular monthly meeting of the United Methodist Women will be held on Tuesday, November 19 at 7:00 p.m. in Fellowship Hall and will be a World Thank Offering Program called “A Light for the World to See”, led by Audrey Poff. All are welcome.



**Sunday, November 17 at 10:00 AM
World Thank Offering**

There will not be any other services or Community Groups on November 17.

CHARGE CONFERENCE

Charge Conference will take place on Monday, November 18 at 6:30 p.m. at St. Paul's UMC Church in Elizabethtown (398 N. Locust Street).



It's time to think about packing shoe boxes for **Operation Christmas Child** in November. There will not be a packing party this year. Collection week for your boxes to be dropped off will be November 18-25. For more information see Kay Leader.



**Thanksgiving
Dinner**

We will be serving Thanksgiving Dinner in Fellowship Hall from 11:00 a.m. until 2:00 p.m. on Thursday, November 28. We need volunteers and donations of turkeys and desserts. Please see the volunteer board in the lobby.



- | | | |
|----|------------------------|--------------------|
| 1 | Jacquee Wood | |
| 2 | Melvin Frantz | |
| 3 | Mark Ingoglia | Mitchel Lutz Jr. |
| | Dana Ronca | |
| 4 | Jessica Leschke | Jennifer Shoemaker |
| 5 | Timothy Smith | |
| 6 | Brandon Bertoli | |
| 7 | Heather Hanes | Brian Roberts II |
| | David Weisser | Keri Welsh |
| | Rachel Winders | |
| 8 | Jean Grider | |
| 9 | Easton Lightcap | Taylor Smith |
| 10 | Michael Hooper | Ashton Paules |
| 11 | Cristopher Hetter | |
| 12 | Todd Ackerman | |
| 14 | Angela Lutz | |
| 15 | Sarah Goldsborough | Robert Heaps |
| | Mitchell Heim | Lisa Lau |
| 16 | Adriana Lutz | |
| 18 | Debra Hall | |
| 19 | Joanne Meiskey | |
| 20 | Sheri Kaufhold | Kaiden Matthews |
| 21 | Mary Jane Miltenberger | |
| 22 | Frank Splain Jr. | |
| 25 | Stanley Knight Sr. | Rachel Rhoads |
| 26 | Tierra Ross | |
| 27 | Diane Falcon | |

If you are having a birthday in November and are not listed here, that means we do not have a record of your birth date. Please contact the church office with that information, and have a happy birthday!



There will be a training session for Wee Church/Jr. Church teen helpers on Sunday, November 3 at 10:05 a.m. in the Youth Room.

OFFICE HOURS FOR JOE KILGORE

Joe will be in the office from 5-10 PM on Mondays. If you need to schedule a time to meet with him (on a Monday or on another day) please call him or contact him by email.



As a part of our ongoing commitment to “pray without ceasing” we want to lift up to you for prayer these members of our church family who are residing in nursing homes, retirement homes or are homebound and unable to attend church:

St. Anne’s Home, 3952 Columbia Avenue, Columbia

➤ Jean Grider – 211

Paramount Senior Living, 2760 Maytown Road, Maytown PA 17550

➤ Minerva Brommer

HOMEBOUND MEMBERS

Steve & Shirley Staman – 200 Luther Lane, Apt. 400
Columbia PA 17512

Jean Crist – 305 Country Place Drive, Lancaster 17601



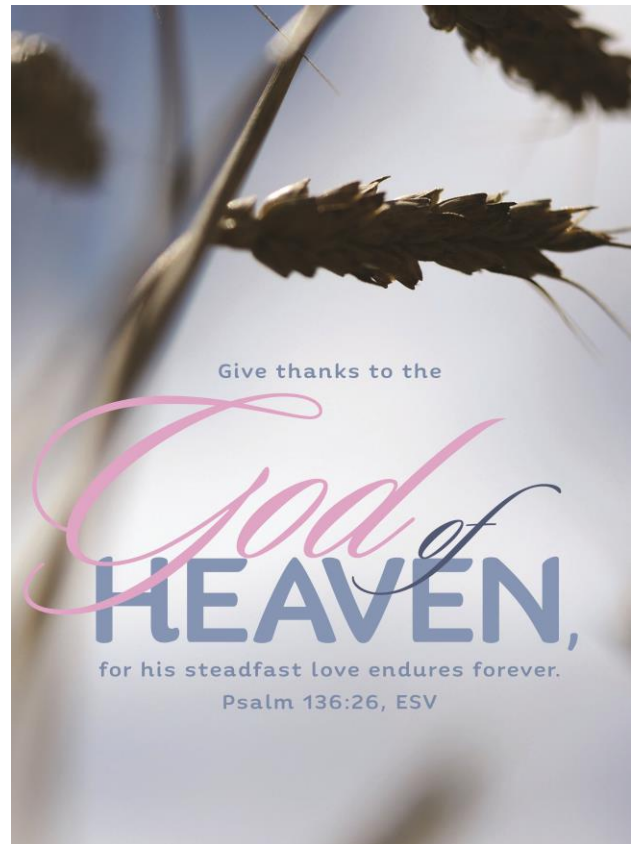
From the Family of B. Ruth Peters:

Thank you to all who were so faithful to mom with visits and cards. We appreciate your thoughts and prayers as we continue to remember what a good and faithful servant she was. God is good all the time!!

Kay & Ruth Ann and families



The local Christian book distributor Choice Books of Pennsylvania is having a **70% OFF** inventory reduction sale on Saturday November 9th, from 8 AM – Noon. The sale will also be extended November 11 thru 15, from 9AM - 2PM each day. They are located at 121 S. Main Street, Manheim. (Parking is at rear of building) Call (717) 665-3933 Ext 100 if you have questions. Payment by cash and local checks only. Check them out at... www.choicebooks.org



“Thanks to God”

Thanks for prayers that thou hast answered,
Thanks for what thou dost deny.
Thanks for storms that I have weathered,
Thanks for all thou dost supply.
Thanks for pain, and thanks for pleasure.
Thanks for comfort in despair.
Thanks for grace that none can measure,
Thanks for love beyond compare.

Thanks for roses by the wayside,
Thanks for thorns their stems contain.
Thanks for home and thanks for fireside,
Thanks for hope, that sweet refrain.
Thanks for joy and thanks for sorrow,
Thanks for heav’nly peace with thee.
Thanks for hope in the tomorrow,
Thanks through all eternity!

—August Storm, 1891

November 2019						
◀ October						December ▶
Sun	Mon	Tue	Wed	Thu	Fri	Sat
					1	2 Turn your clocks back tonight – Daylight Saving time ends
3 Daylight saving time ends 9 AM Praise Service 10:05 AM Community Groups 10:05 AM Teen training for Wee Church/Jr. Church 11 AM Traditional Service	4 6 PM Girl Scouts	5	6 8 PM AA	7 6:30 PM AA 7 PM Chancel Choir	8	9
10 9 AM Praise Service 10:05 AM Community Groups 11 AM Traditional Service 6 PM Youth Group	11	12	13 8 PM AA	14 6:30 PM AA 7 PM Chancel Choir	15 6:00 PM Kids Fun Night	16
17 10:00 AM Community Worship – World Thank Offering	18 6 PM Girl Scouts 6:30 PM Charge Conference at St. Paul UMC, Elizabethtown 7 PM Youth Bible Study	19 7 PM United Methodist Women	20 8 PM AA	21 6:30 PM AA 7 PM Chancel Choir	22	23
24 8 AM Fellowship Bkfst. 9 AM Praise Service 10:05 AM Community Groups 11 AM Traditional Service 6 PM Youth Group	25	26	27 8 PM AA	28 Thanksgiving 11 AM – 2PM Thanksgiving Dinner 6:30 PM AA	29	30

STAFF CONTACT INFO

Pastor Tom: rev.tomgrubbs@yahoo.com

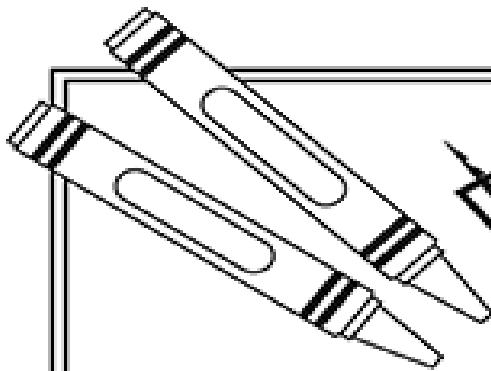
Cell: 717-917-7164

Office/Diana: cumc@comcast.net 717-684-2356

Joe Kilgore Jr.: joe_kilgore@comcast.net 717-278-6112

Melody Stutzman: melodystutzman@yahoo.com 717-418-1524



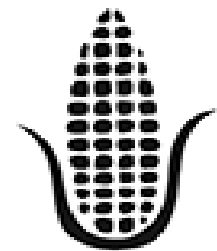
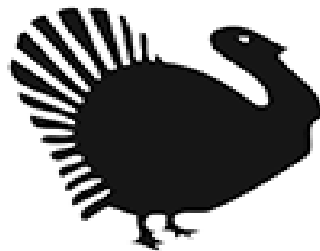


PUZZLE

GIVE THANKS TO GOD

God gives us many blessings every day. How can we thank him?

Directions: To complete the Bible verse below, follow the code and fill in the blanks.



A=1, B=2, C=3, D=4, E=5, F=6, G=7, H=8, I=9, J=10,
 K=11, L=12, M=13, N=14, O=15, P=16, Q=17, R=18,
 S=19, T=20, U=21, V=22, W=23, X=24, Y=25, Z=26.

" _____ will _____ 9 16 18 1 9 19 5

_____ ' _____ name in _____ 7 15 4 19 19 15 14 7

and _____ with _____ 7 12 15 18 9 6 25 8 9 13

_____ " _____ 20 8 1 14 11 19 7 9 22 9 14 7

The logo features the words "ONE YEAR" in a large, green, serif font with a slight shadow effect. Below this, the words "BIBLE READING PLAN" are written in a smaller, black, serif font. The text is centered over a light green, stylized graphic that resembles a landscape or a book's spine.

Readings for November 2019

November 1	Amos 4-6, John 7:28-53
November 2	Amos 7-9, John 8:1-27
November 3	Ezekiel 1-2, John 8:28-59
November 4	Ezekiel 3-4, John 9:1-23
November 5	Ezekiel 5-7, John 9:24-41
November 6	Ezekiel 8-10, John 10:1-23
November 7	Ezekiel 11-13, John 10:24-42
November 8	Ezekiel 14-15, John 11:1-29
November 9	Ezekiel 16-17, John 11:30-57
November 10	Ezekiel 18-19, John 12:1-26
November 11	Ezekiel 20-21, John 12:27-50
November 12	Ezekiel 22-23, John 13:1-20
November 13	Ezekiel 24-26, John 13:21-38
November 14	Ezekiel 27-29, John 14
November 15	Ezekiel 30-32, John 15
November 16	Ezekiel 33-34, John 16
November 17	Ezekiel 35-36, John 17
November 18	Ezekiel 37-39, John 18:1-18
November 19	Ezekiel 40-41, John 18:19-40
November 20	Ezekiel 42-44, John 19:1-22
November 21	Ezekiel 45-46, John 19:23-42
November 22	Ezekiel 47-48, John 20
November 23	Song of Solomon 1-3, John 21
November 24	Song of Solomon 4-5, Ephesians 1
November 25	Song of Solomon 6-8, Ephesians 2
November 26	1 Samuel 1-3, Ephesians 3
November 27	1 Samuel 4-6, Ephesians 4
November 28	1 Samuel 7-9, Ephesians 5:1-16
November 29	1 Samuel 10-12, Ephesians 5:17-33
November 30	1 Samuel 13-14, Ephesians 6

November

2019

Prayer Calendar



Sunday	Monday	Tuesday	Wednesday	Thursday	Friday	Saturday
					1 Praise God that He never changes.	2 Praise God for His unfailing love.
3 Praise God for His power over the world.	4 Name one thing you are thankful for today.	5 Give thanks for Jesus.	6 Pray for your family.	7 Pray for those who don't have the freedom to worship..	8 Pray for doctors	9 Pray for the community of Columbia
10 Pray for CUMC	11 Pray for those who serve in the military	12 Pray for the church staff at CUMC	13 Pray for Pastor Tom and his family.	14 Pray for teachers	15 Pray for your friends	16 Pray for your neighbors
17 Thank God for giving you all your needs	18 Name five things you are thankful for	19 Pray for social justice issues	20 Pray for missionaries around the world	21 Pray for the United Methodist Church	22 Pray for our country's leadership	23 Pray for our state's leadership
24 Give thanks to God for laughter.	25 Pray for the senior center	26 Pray for the homeless in Columbia	27 Pray that you will have an attitude of thankfulness	28 Pray for CUMC's Community Thanksgiving Dinner	29 Pray that God's will not ours will be done.	30 Pray that God shows you something new today.