

February 2017

**THE
DOVE**



**COLUMBIA UNITED
METHODIST CHURCH**

**510 Walnut Street
Columbia, PA 17512 (717) 684-2356
Rev. Tom Grubbs, Pastor**



Open hearts. Open minds. Open doors.
The people of The United Methodist Church™



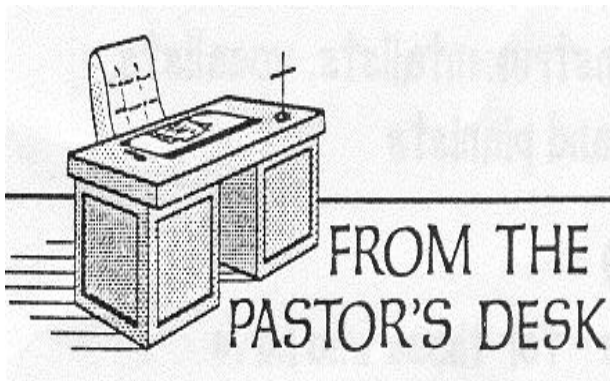
OUR MISSION:

Making Disciples of Jesus Christ

for the Transformation of the World

† † † † † † †

*“We can throw stones, complain about them,
stumble on them, climb over them,
or build with them.” - William Arthur Ward*



As we begin a new year together I hope that you will prayerfully consider how you can become involved with the various things that CUMC is doing. Being a member of a church or attending church is not just about coming to worship on Sunday mornings but requires much more of us. There are several great Sunday School classes that are going on that you can get plugged into for your spiritual growth. There are many opportunities in other areas of the church that you can get plugged into as well. Please prayerfully consider how you can get plugged into things and how you can make

an impact on someone's life. Remember there comes a point where we need to stop being ministered to and we begin doing ministry. Over the next few months a new ministry plan for CUMC will be unveiled with opportunities to grow our church numerically and spiritually. It will also offer opportunities to continue to reach out to our community as we take the good news of Christ beyond our walls. I am excited about 2017 and what lies ahead. I hope that you will join me on this journey as we continue to “make disciples of Jesus Christ for the transformation of the world.” It is an honor to be your Pastor and an honor to walk and serve alongside of each of you. May God continue to bless you as you strive to serve Him daily.

Consumed by the Call,
Pastor Tom

SUNDAY BREAKFAST

Don't forget about our monthly Fellowship Breakfast on February 26th at 8:00 AM. Hope to see everyone there!



Beginning on February 5th Pastor Tom will begin a new sermon series called "I Love My Church". This five week sermon series is geared to help us understand why God designed the church and how we can become fully engaged in the church and it's mission. As part of the sermon series on February 26th CUMC will be having "Consecration Sunday" where we will be dedicating our pledges for the 2017 budget. Invite a friend to come along with you! I hope you will join us as we proclaim why we love our church!

February 5 – I Love My Church intro
John 13:31-35

February 12- We are a Community
Hebrews 10:19-25

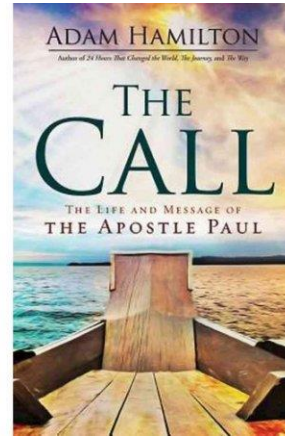
February 19- We are called to Serve
1 Corinthians 12:4-7 Romans 12:3-8

February 26- We are called to Give (Consecration Sunday)
Acts 4:32-35

March 5 – We are called to Share
Matthew 5:13-16



CUMC is in need of liturgists for the 11:00 AM Traditional Worship Service. We are also looking for people to read scripture at both of the worship services. If you are interested in helping as a liturgist or in reading the scripture please contact Pastor Tom.



A NEW SUNDAY SCHOOL CLASS

Pastor Tom will begin to teach a new Sunday School class on February 12th called "The Call: The Life and Message of the Apostle Paul".

- Week #1 Called to Follow Christ
(Paul's background, conversion and ministry)
- Week #2 Called to Go
(Paul's first missionary journey)
- Week #3 Called to Suffer
(Paul's second missionary journey, part 1)
- Week #4 Called to Love
(Paul's second missionary journey, part 2)
- Week #5 Called to be Faithful
(Paul's death and legacy)

Pastor Tom encourages anyone who wants to be a part of this study to purchase the book by Adam Hamilton.

Welcome



Center

CUMC is in need of individuals to help as welcome hosts before our services. We are in need of individuals to staff the welcome center before the 9:00 AM Praise Service and before the 11:00 AM Traditional Service. First impressions are everything! Please prayerfully consider serving as a welcome host. Contact Pastor Tom if you are interested.

CUMC GAME NIGHT

On February 17th at 7:00 PM in the Fellowship Hall, CUMC will be having a game night! Everyone is invited! All you need to do is bring a game of your choice and a dessert or snack to share! There will be signup sheets for game night at the Welcome Center and on the credenza. The purpose of the signups is to see how many people plan on attending. For more information about game night contact Pastor Tom.



Sunday School time – 10:05 – 10:55

The Primary Department will be using David C. Cook, Bible-in-Life materials:

Early Elementary (ages 4 – grade 1)

“We Worship God Together”

2 Chronicles, Nehemiah, 1 Kings (scripture used)
We can worship God by giving gladly, singing, praying, and reading and listening to His word.

Elementary (grades 2 –3)

“What Jesus Said”

Matthew, Luke (scripture used)

Jesus is God’s son. We show our love for God by treating others fairly and forgiving them.

Upper Elementary (grades 4-6)

“What Jesus Said”

Matthew, John (scripture used)

Stay connected to Jesus by doing what the Bible says to do. We should use the abilities God gave us to help others.

“We cannot pray in love and live in hate and still think we are worshipping God.” - A.W. Tozer



Operation Christmas Child

Collection: Each month we will collect gifts for the packing party on November 5, 2017 at 12:00. Here is a list of items that will be collected each month:

February: toothbrushes, band aids
March: soap, wash cloths, combs, brushes, hairbands, etc.
April: small plush items, small toys
May: small books, Bibles, coloring books, tablets
June: small balls, plastic bowls, drinking cups
July: flip flops
August: crayons, markers, pencils, school supplies
September: socks, knit hats, gloves
October: cash donations for shipping costs and additional items to pack

Items NOT ALLOWED: scissors, candy, liquids, glass, military toys, sharp items, toothpaste

JOYFUL NOISE OFFERING:

We will continue to collect loose change for the “Joyful Noise” offering each week to support Outreach ministries – Day Camp, God’s Chefs, Operation Christmas Child, Food Bank, Power Packs, Thanksgiving Dinner, Hot Dog Saturdays, etc.



On Sunday, February 5, the Outreach Committee will be sponsoring the “Souper Bowl of Caring.” We are looking for food and/or cash donations to be collected in the lobby. All proceeds, including January’s “Joyful Noise” contributions will benefit the Columbia Food Bank. Help us make a difference to those in need right here in our own community!



COMING IN 2017!

As part of the outcome of the YEP (Your Evenings with the Pastor) in the fall, one of the things that came from it was to have a time during both services where kids can go downstairs after children's time and have their own worship experience. This would allow parents to enjoy the worship service without distractions and would help make CUMC be more family friendly.

Pastor Tom will provide all the materials you need to do a 20-30 minute kids church. This will not be in place of Sunday School and will not be using the same material as Sunday School. But in order to make this happen Pastor Tom needs people to help. You can sign up for the 1st, 2nd, 3rd, or 4th week of the month (even or odd months) and also select the 9 AM or 11 AM service time. We need at least two adults to help each week. A signup sheet can be found on the credenza.

Please sign up for one of the weeks if you are willing to help grow our kid's ministry and help with this new program. Pastor Tom will then schedule a meeting with all the volunteers to go over things and a schedule will be mailed and posted when completed. Please contact Pastor Tom with any questions.



Sunday night Youth Group will begin again in February and will be held one Sunday night a month. On **February 12 at 3 PM** there will be a Movie Night. Please bring a snack to share.

We are in need of adults to help volunteer with the youth program. If we do not have enough adults to help out then we will not be able to have a youth group. If you are interested in helping please contact Pastor Tom. If you are interested in teaching youth Sunday School on a rotating basis contact Pastor Tom.



CUMC IS LOOKING TO HIRE...

A part-time Youth Director

We are looking for someone who loves students, grades 7-12, who has a heart for sharing the gospel and discipling teenagers. The Youth director will plan and implement all elements of this ministry at CUMC including but not limited to: Youth Group sessions, midweek programming, communications (including social media), retreats and mission trips. The Youth Director is also responsible for planning and teaching the Youth Sunday School Class on a regular basis. The Youth Director is a 12 hour per week paid position.

If interested, email Pastor Tom (rev.tomgrubbs@yahoo.com), including a cover letter and resume OR mail a cover letter and resume to:

Columbia United Methodist Church
510 Walnut Street
Columbia PA 17512
Attn. Pastor Tom Grubbs



Just a reminder that we do offer Sunday School for youth in grades 7-12 in the youth room downstairs at 10:05 a.m. each week.

Upcoming topics include:

Kindness and how our actions impact others. From the gospel of Luke we will be looking at Compassion. From Mark chapters 1 and 6 we will be looking at Jesus' definition of greatness. From Mark 10, and Luke chapters 15 and 16 we will be looking at joys and wisdom taught through the parables.



EFT GIVING

CUMC now has EFT (electronic fund transfer) available to anyone who wants to use it. Go to our church website (columbiaunitedmethodist.org) and click on the online giving tab. You can set up how often you would like to give to CUMC, how much you want to give, and where you want the money to go. You no longer have to worry about missing a Sunday and remembering to bring in your envelope as EFT on a set date will make sure CUMC gets your offering. In the event of a church closure on a Sunday, you can go online and still give to CUMC. EFT giving is totally optional and is just another way for people to give to CUMC.



“PRAY ALWAYS FOR GOD’S PEOPLE”

As a part of our ongoing commitment to “pray without ceasing” we want to lift up to you for prayer these members of our church family who are residing in nursing homes:

St. Anne’s Home, 3952 Columbia Avenue, Columbia

- Jean Grider – 211
- Sara Anne Linkous

Susquehanna Valley Nursing & Rehab

745 Old Chiques Hill Road, Columbia

Juniper Village, 607 Hearthstone Lane, Mount Joy

- Minerva Brommer

Manorcare, 320 S. Market Street, Elizabethtown

- Clyde “Tick” Smith



WAYS TO CONTACT PASTOR TOM

E-mail: rev.tomgrubbs@yahoo.com

Cell: 717-917-7164



FEBRUARY BIRTHDAYS

- | | | |
|----|------------------------|----------------------|
| 1 | Madison Burke | |
| 2 | Rick Moser | Charles Barrett |
| | Sarah Leader | |
| 4 | Gavin Hobday-O’Donnell | Heather Lesoine |
| 5 | Sarah Ford | Phyllis Dickson |
| 6 | Michael Douglas | Peggy Hershey |
| | Kenneth Wagner | |
| 7 | Charles Winders Jr. | |
| 8 | Lexus Helmick | Elizabeth Miller |
| | Sue Hinkle | Mary Catherine Kelly |
| 10 | Vaughn Wenger Jr. | |
| 11 | Ryan Lehman | Jim Walk Jr. |
| | Jean Urban | |
| 12 | D’Lynn Eck | |
| 14 | Olivyana Swartz | William Koehler |
| 15 | Dale King | |
| 16 | Sherri Minnich | Vincent Heaps |
| 17 | Linda Hinkle | |
| 19 | Thomas Phillips | |
| 20 | Ellwood Deeg | |
| 22 | Katie Shelley | Brenden Duke |
| | Bentley Rettew | |
| 23 | Monica Pyfer | Josh Anderson |
| | Jonathan Riggs | |
| 24 | Jessica Moore | |
| 25 | John Berdiner Sr. | Kayne Caplinger |
| 27 | Heidi Vollmer | Gabrielle Kashner |

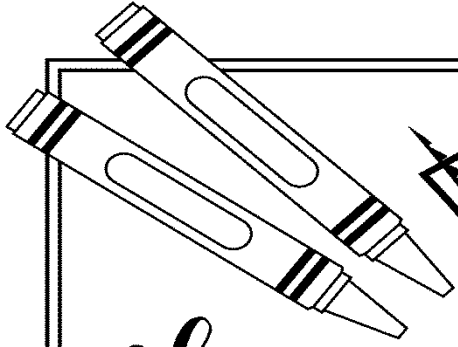
If you are having a birthday in February and are not listed here, that means we do not have a record of your birth date. Please call the church office with that information, and have a happy birthday!

Giving credit where due?

Running late for a meeting, a man circled the block, looking for a place to park. Desperately, he raised his eyes toward heaven and prayed, “Lord, if you’ll find me a parking spot, I promise I’ll start going to church again.”

Just then, a car pulled out of a space right in front of the man. “Never mind,” he said to God. “I found one!”

February 2017						
◀ January						March ▶
Sun	Mon	Tue	Wed	Thu	Fri	Sat
			1 8 PM AA	2 6:30 PM AA 6:30 PM Sea Scouts 7 PM Choir	3 11 AM AA	4
5 "Souper Bowl Sunday" 9 AM Praise Service 10:05 AM Sunday School 11 AM Traditional Service	6	7 6:30 PM Jr. Girl Scouts & Cadettes	8 8 PM AA	9 6:30 PM AA 6:30 PM Sea Scouts 7 PM Choir	10 11 AM AA	11 Lions Club Breakfast
12 9 AM Praise Service 10:05 AM Sunday School 11 AM Traditional Service 3 PM Youth Movie Night	13	14 6:30 PM Jr. Girl Scouts & Cadettes	15 8 PM AA	16 6:30 PM AA 6:30 PM Sea Scouts 7 PM Choir	17 11 AM AA	18
19 9 AM Praise Service 10:05 AM Sunday School 11 AM Traditional Service	20 6 PM PATH	21	22 8 PM AA	23 6:30 PM AA 6:30 PM Sea Scouts 7 PM Choir	24 11 AM AA	25
26 8 AM Fellowship Breakfast 9 AM Praise Service 10:05 AM Sunday School 11 AM Traditional Service	27	28	Notes:			



PUZZLE

Love your neighbor as yourself

Valentine's Day is the perfect opportunity to live out God's love.
How does Jesus say we should treat other people?

*Directions: Find a hidden word in each sentence. For example, "the" is hidden here:
(12) "It's Harry's hat he stole." The (12) means the hidden word starts on the 12th
letter (ignore punctuation). Use the answers to complete Matthew 19:19, NIV.*

(1) You really like ice cream! _____



(16) Carly has a really fat hermit crab. _____

(21) My favorite animals are moth, ermine and eels. _____

(4) "Hello, Vera!" called Joseph. _____

(11) When horses neigh, boredom reigns. _____

(17) Their daughter, Kara, sat patiently. _____

(6) "That's yours, elf!" the fairy yelled. _____



"Honor _____ and



_____, and _____ your

_____."

Matthew 19:19, NIV



Answer: "Honor your father and mother, and love your neighbor as yourself." Matthew 19:19, NIV